



# E.T.C AUSTRALIA

Tel:+61 08 9437 1313 Fax:+61 08 9437 1103



## ETC DB 24/250 Deadbreak Elbow Connector

Up to 24kV, 250 Amp Class



ETC DB 24/250  
Deadbreak Elbow Connector

### General:

The ETC DB 24/250 Deadbreak Elbow Connector is a fully shielded and insulated plug-in termination, rated 250 amps, up to 24kV, connected with underground cable ranging from 25 to 120 mm<sup>2</sup> (conductor cross section).

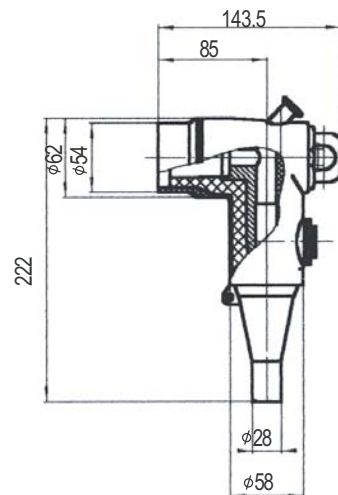
The ETC DB 24/250 Deadbreak Elbows are molded using high quality peroxide-cured EPDM insulation. It is used to connect underground cable to transformers, switchgear or Ring-Main-Units (RMU) equipped with mated Deadbreak Bushings. The test point is available for use with hot line voltage indicators.

It is the essential component for high-voltage electrical connection of the pad-mounted transformers and Ring-Main-Units.

### Electrical Characteristics:

Voltage Ratings and Characteristics	
Description	kV
Standard Voltage Class	24
Maximum Rating Phase-to-ground	12
AC 50 Hz 1 Minute Withstand	54
DC 15 Minute Withstand	48
BIL and Full Wave Crest	125
20kV partial Discharge	≤10pc
Current Ratings and Characteristics	
Description	Amperes
Continuous	250A
Short Time	10,000 A rms symmetrical for 0.2s 3,500 A rms symmetrical for 3.0 s
Electrical characteristics are in accordance with or exceed DIN 47636 and IEC 60502.4-1997 standards.	

### DIMENSIONS(mm)



### Standard Packaging List:

1	Deadbreak Elbow Connector	8	Bail Assembly
2	Deadbreak Probe	9	Test Point Cap
3	Probe Installation Tool	10	Cleaning Paper
4	Compression Connector	11	Silicone Lubrican
5	Clamping Assembly	12	Cable Preparation Template
6	1.5mm <sup>2</sup> Copper Grounding Wire	13	Installation Instruction Sheet
7	Quality Certificate		



# E.T.C AUSTRALIA

Tel:+61 08 9437 1313 Fax:+61 08 9437 1103



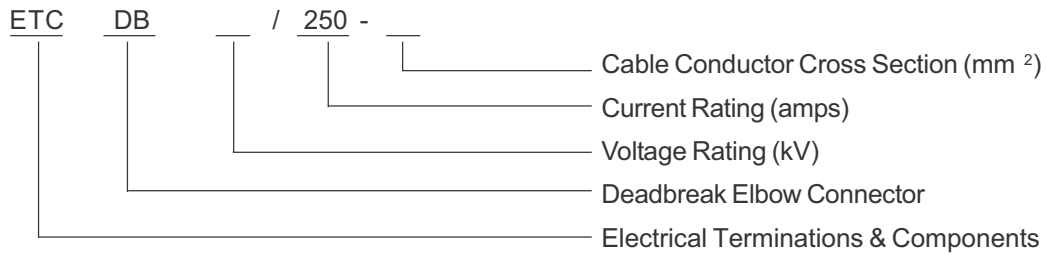
**250-02**

## Ordering Information:

To order a 250 amps, 24 kV Deadbreak Elbow Connector. Please refer to the chart below and select the appropriate Part No.

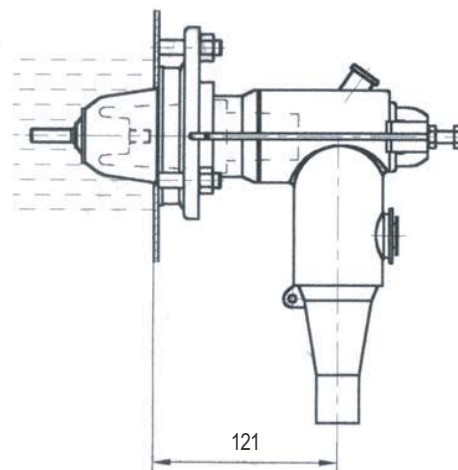
Part No.	Conductor Cross Section(mm <sup>2</sup> )	Current Rating (A)
ETC DB 24/250-25	25	250
ETC DB 24/250-35	35	250
ETC DB 24/250-50	50	250
ETC DB 24/250-70	70	250
ETC DB 24/250-95	95	250
ETC DB 24/250-120	120	250

## Code Information:



## Typical Arrangement:

200amps Bushing Well + 250amps Deadbreak Bushing Insert + Deadbreak Elbow Connector



**Special Operating Tool:** Probe Installation Tool ( Supplied)

More Information for cable accessories, installation instructions, technical questions. Please contact your local Electrical Terminations & Components representative or visit our website <http://www.etcaustralia.com.au>